
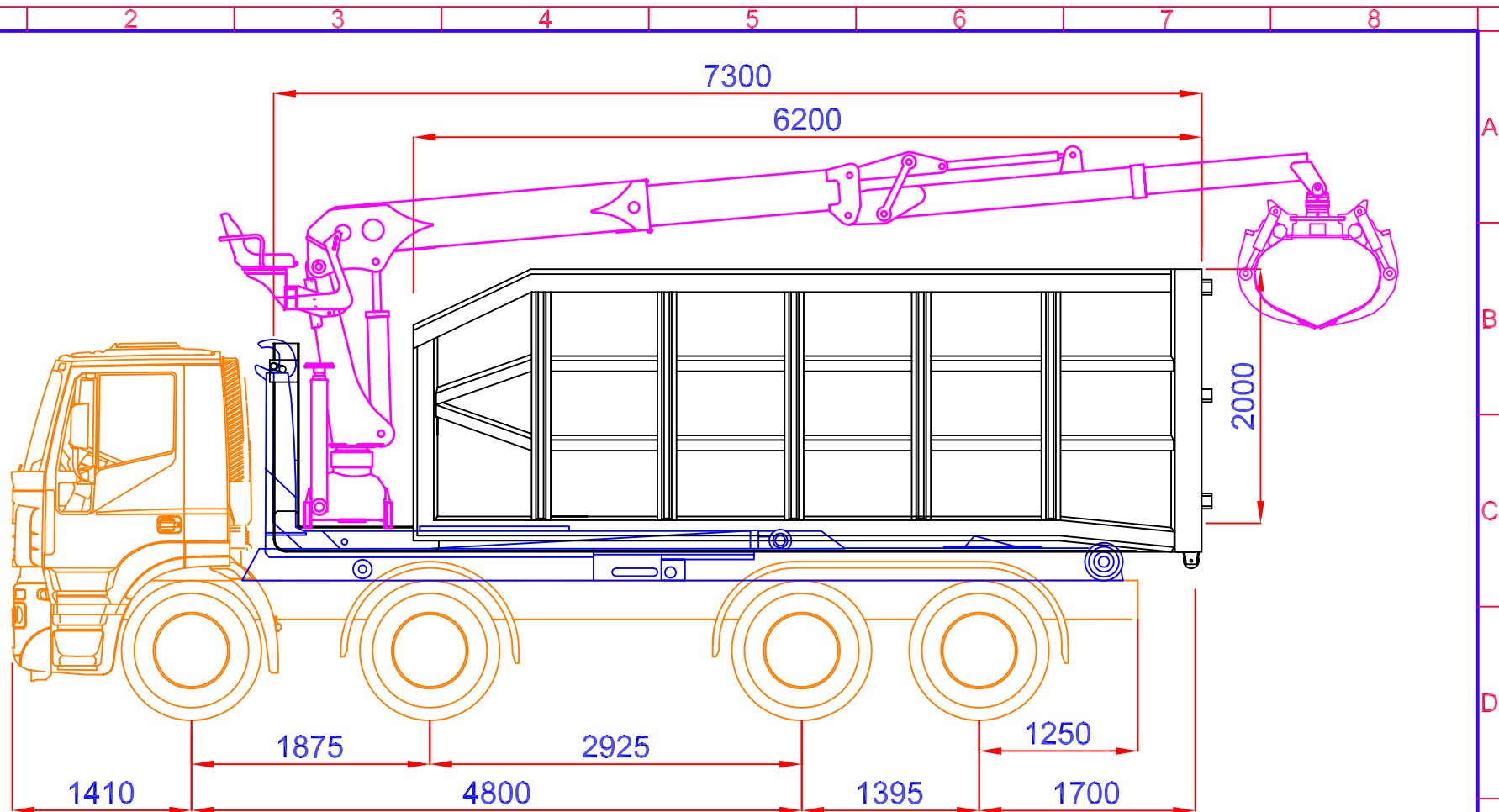


 FMI GERVASI S.p.a. veicoli industriali Statale 23 del Sestriere - Km 29 10060 Scalenghe (TO)	DATI TECNICI	
	VEHICLE IVECO STRALIS AD320S . .	Totale Weight q. 320
BODY HOOKLIFT 26Ton	Dead Weight q.	
CRANE GMC GZ	Lifting Capacity q.	
 SCALE 1:50	Capacity mc. 27	
DESIGNE F/FIGURINI SCHEDE TECNICHE	THE DIMENSION AND WEIGHTS STADED HEREIN ARE INDICATIVE AND NOT BINDING AND MAY BE CHANGED WITHOUT WARNING AS A FUNCTION OF PRODUCTION NEEDS.	





 FIMI GERVASI S.p.a. veicoli industriali Statale 23 del Sestriere - Km 29 10060 Scalenghe (TO)		DATI TECNICI	
		Totale Weight	q. 320
VEHICLE		Dead Weight	q.
IVECO STRALIS AD320S . .		Lifting Capacity	q.
BODY	HOOKLIFT 30Ton	Capacity	mc. 27
CRANE	GMC		
 SCALE 1:50		THE DIMENSION AND WEIGHTS STADED HEREIN ARE INDICATIVE AND NOT BINDING AND MAY BE CHANGED WITHOUT WARNING AS A FUNCTION OF PRODUCTION NEEDS.	

