
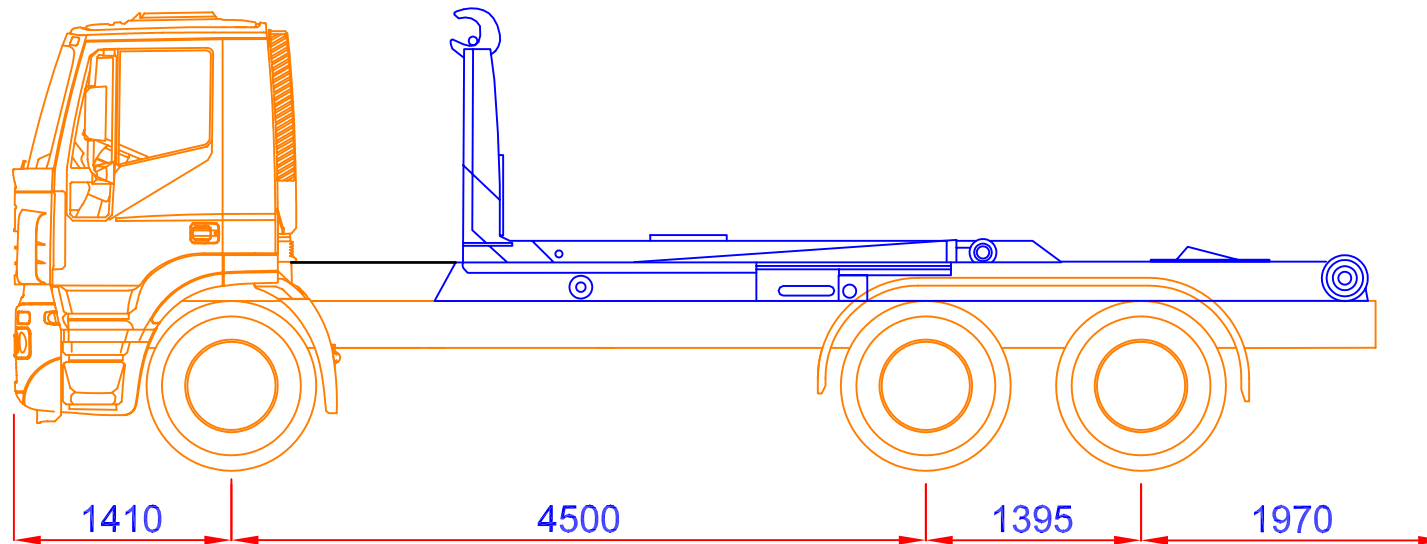
 FIM GERVASI S.p.a. veicoli industriali Statale 23 del Sestriere - Km 29 10060 Scalenghe (TO)	DATI TECNICI	
	VEHICLE IVECO STRALIS AD260S . .	Total Weight q. 260
BODY HOOKLIFT 26Ton	Dead Weight q.	
CRANE GMC GL 110_1+1	Lifting Capacity q.	
 SCALE 1:50	Capacity mc. 23	
DESIGNE F/FIGURINI SCHEDE TECNICHE		THE DIMENSION AND WEIGHTS STADED HEREIN ARE INDICATIVE AND NOT BINDING AND MAY BE CHANGED WITHOUT WARNING AS A FUNCTION OF PRODUCTION NEEDS.





FIMI GERIASI S.p.a.
veicoli industriali

Statale 23 del Sestriere - Km 29 10060
 Scalenghe (TO)

VEHICLE
 IVECO STRALIS AD260S . .

BODY HOOKLIFT 26Ton

CRANE GMC GL 132_0+1



SCALE
 1:50

DESIGNE
 F/FIGURINI SCHEDE TECNICHE

DATI TECNICI

Totale Weight	q.	260
Dead Weight	q.	
Lifting Capacity	q.	
Capacity	mc.	28

THE DIMENSION AND WEIGHTS STADED
 HEREIN ARE INDICATIVE AND NOT BINDING
 AND MAY BE CHANGED WITHOUT WARNING
 AS A FUNCTION OF PRODUCTION NEEDS.