

**FIM GERVASI** S.p.a.  
**veicoli industriali**  
 Statale 23 del Sestriere - Km 29 10060  
 Scalenghe (TO)

VEHICLE  
 IVECO STRALIS AD260S . .

BODY REAR TIPPER

CRANE GMC GL 110\_1+1

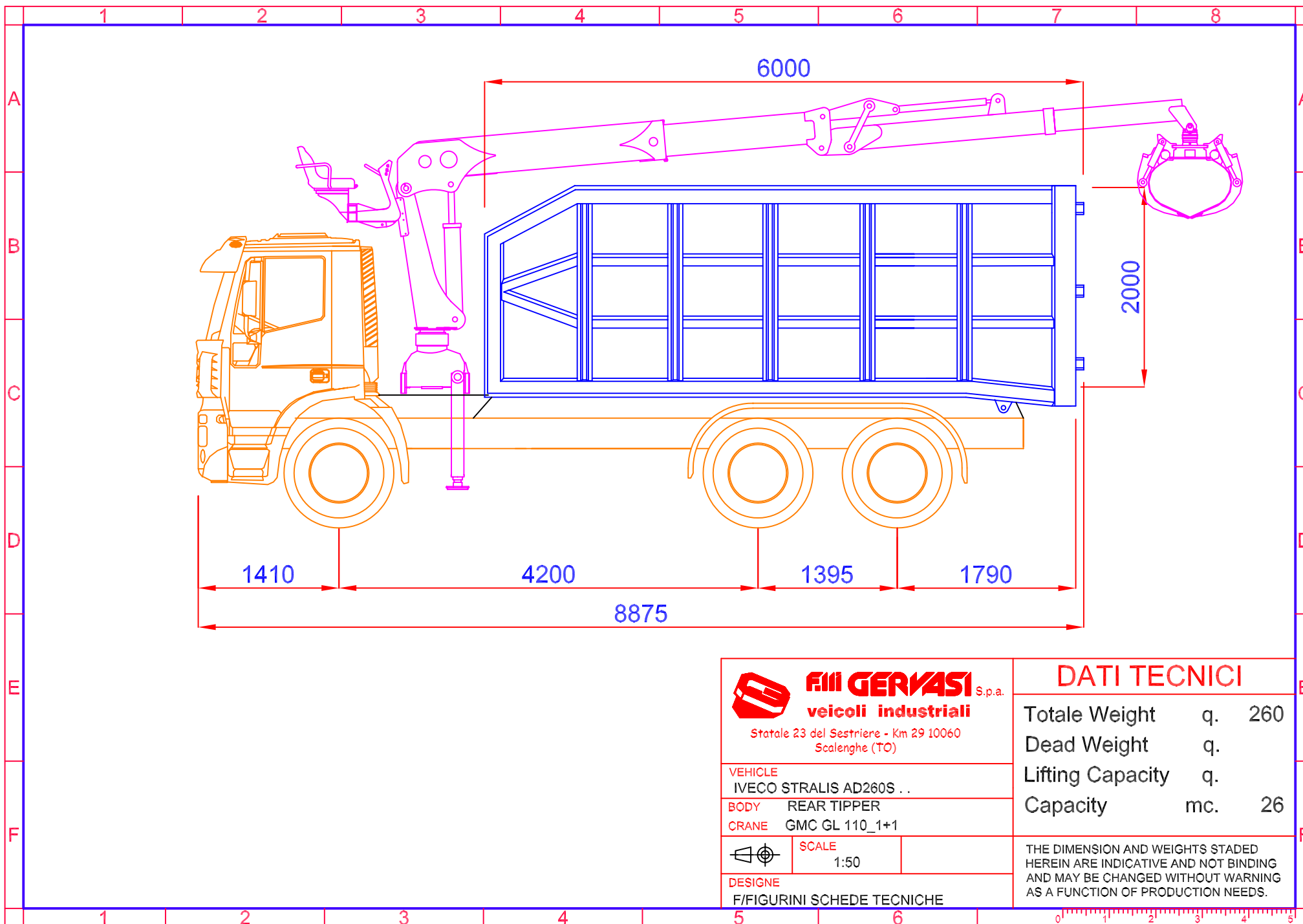
SCALE  
 1:50

DESIGNE  
 F/FIGURINI SCHEDE TECNICHE

DATI TECNICI	
Totale Weight	q. 260
Dead Weight	q.
Lifting Capacity	q.
Capacity	mc. 25

THE DIMENSION AND WEIGHTS STADED  
 HEREIN ARE INDICATIVE AND NOT BINDING  
 AND MAY BE CHANGED WITHOUT WARNING  
 AS A FUNCTION OF PRODUCTION NEEDS.





**FIM GERVASI** S.p.a.  
**veicoli industriali**  
 Statale 23 del Sestriere - Km 29 10060  
 Scalenghe (TO)

VEHICLE  
 IVECO STRALIS AD260S . .

BODY REAR TIPPER

CRANE GMC GL 110\_1+1

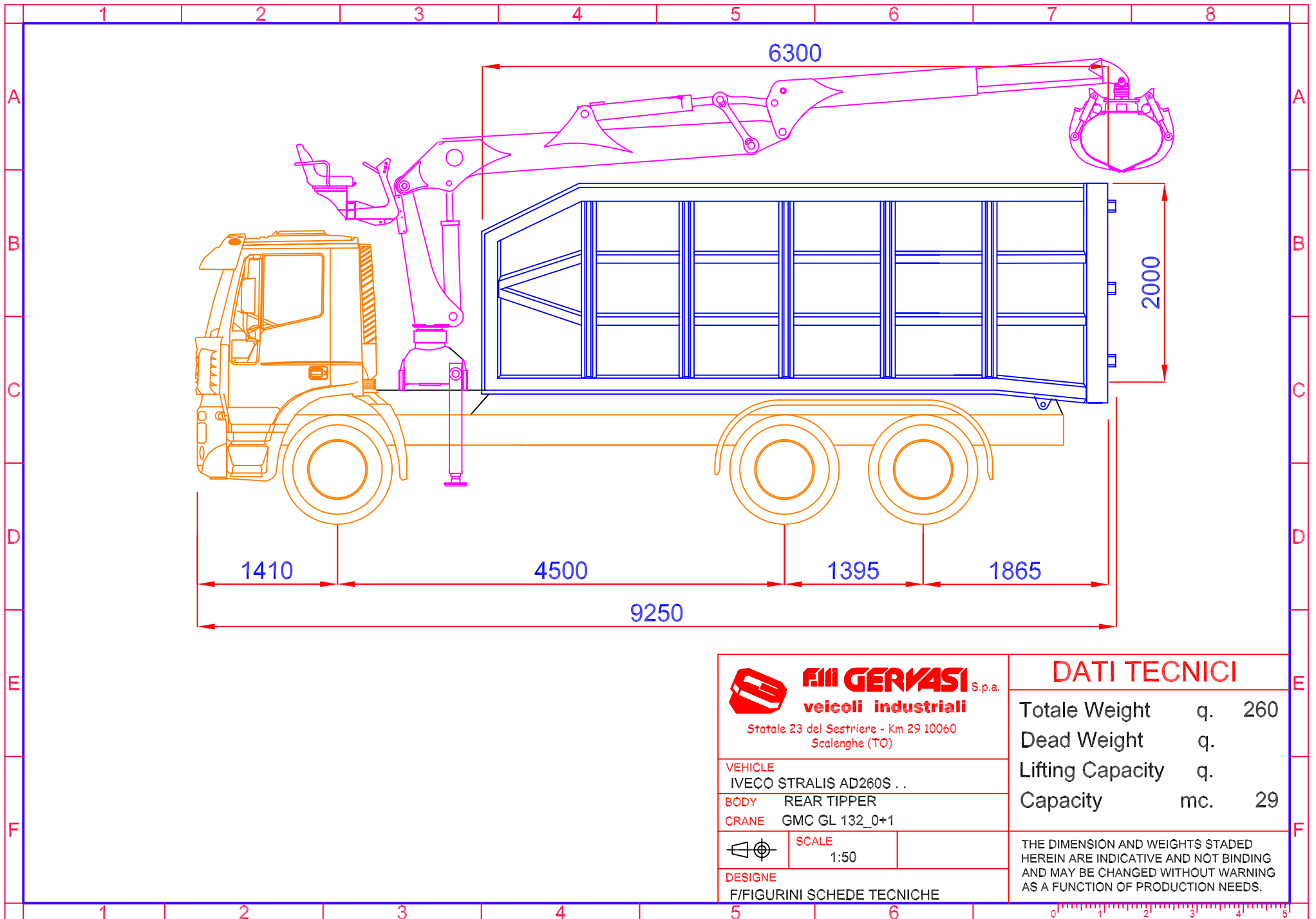
SCALE  
 1:50

DESIGNE  
 F/FIGURINI SCHEDE TECNICHE

DATI TECNICI	
Totale Weight	q. 260
Dead Weight	q.
Lifting Capacity	q.
Capacity	mc. 26

THE DIMENSION AND WEIGHTS STADED  
 HEREIN ARE INDICATIVE AND NOT BINDING  
 AND MAY BE CHANGED WITHOUT WARNING  
 AS A FUNCTION OF PRODUCTION NEEDS.





**FIMI GERVASI** S.p.a.  
**veicoli industriali**  
 Statale 23 del Sestriere - Km 29 10060  
 Scalenghe (TO)

VEHICLE  
 IVECO STRALIS AD260S . .  
 BODY REAR TIPPER  
 CRANE GMC GL 132\_0+1

SCALE  
 1:50

DESIGNE  
 F/FIGURINI SCHEDE TECNICHE

DATI TECNICI	
Totale Weight	q. 260
Dead Weight	q.
Lifting Capacity	q.
Capacity	mc. 29

THE DIMENSION AND WEIGHTS STADED  
 HEREIN ARE INDICATIVE AND NOT BINDING  
 AND MAY BE CHANGED WITHOUT WARNING  
 AS A FUNCTION OF PRODUCTION NEEDS.

