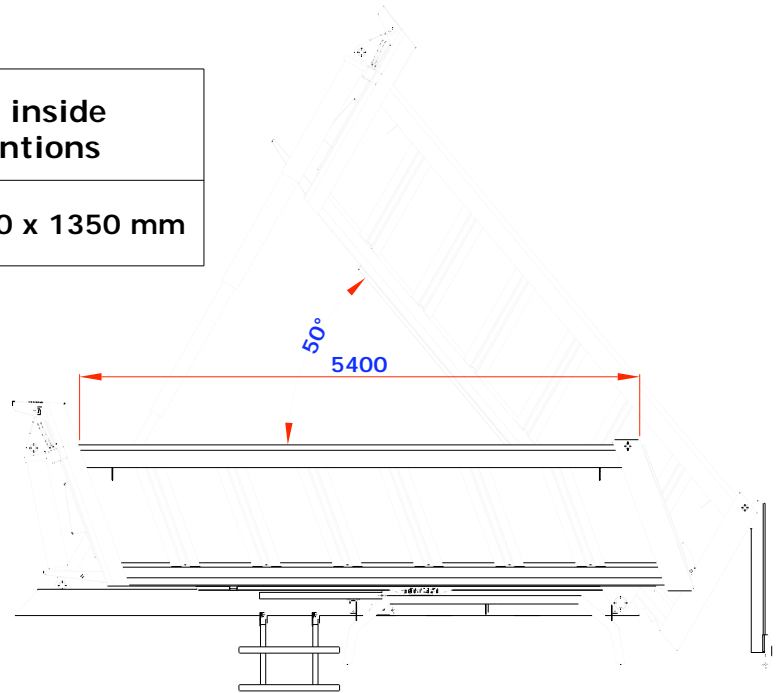
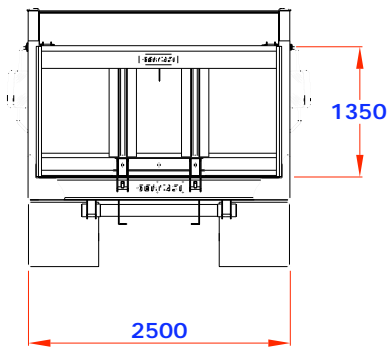


"ROCCIA"

Tail gate thickness	Front panel thickness	Body inside dimensions
8 mm	8 mm	5200 x 2300 x 1350 mm



Body Volume	Tipping structure Weight	Floor	Side Walls	Body lifting angle
16 mc.	5800 kg.	HB 450 steel Thickness 10 mm	HB 450 steel Thickness 8 mm	50°

The dimensions and weights are indicative. They can be changed without warning for manufacturing needs. F.lli Gervasi S.p.A.

EMPLOY

- Transport of rocks.

TIPPER BODY

- Fixed side walls with welded reinforcements.
- Front board with cab protecting lid.
- Top hinged tail gate with automatic release.
- Tipping control by means of front telescopic hydraulic cylinder.
- Activation by means of pneumatic control from the cab.
- Safety device at rear, bolted to the vehicle frame, complete with rubber body support when lifting.
- Painting:
 - Sandblasting by means of computerised system;
 - Application of polyurethane primer and finishing enamel.
- Painting colour: subframe in RAL 7021, body in customer colour.

STANDARD EQUIPMENTS

- Rear steel mudguards.
- Stainless steel tool box with lock (210 x 500 x 470 mm).
- Spare wheel on the front panel complete with lifting device.
- Side protections, lateral clearance lights.

OPTIONS

- Manual tarpaulin. (+ 200 kg.)
- Rear asphalt extension for finisher. (+ 43 kg.)
- Parking wedges with holders.